

# VB-R11



## Keep every angle covered

A 1.3 MP 30x zoom PTZ for indoor applications, which offers versatile high quality live monitoring even in low light and features continuous 360° rotation and Auto Flip for precise and responsive targeting.



With recessed mount kit



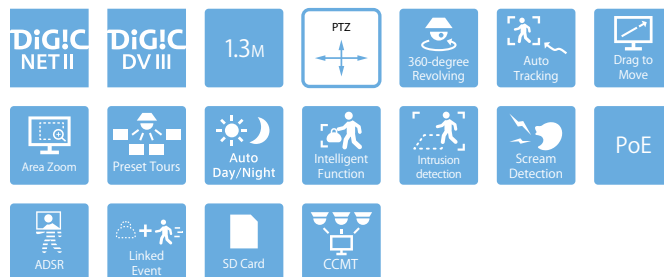
With pendant adapter



- 1.3 MP indoor continuous 360° PTZ with Auto-Flip for easy tracking of subjects
- Excellent low light performance, near or far, with f/1.4-4.6, 30x IR Corrected High-UD zoom lens with a wide 58.4° angle of view
- Effective and precise tracking of fast moving subjects with a highly accurate and responsive 450°/s Pan/Tilt mechanism
- Improved bandwidth control and easy setting of area specific image quality with ADSR technology
- Enhance your ability to identify alarming situations with inbuilt intelligent Intruder and Scream detection

### Product Range

**VB-R11**  
VB-H43/B  
VB-M42/B



# Technical Specifications

# VB-R11

CAMERA	
<b>Image Sensor</b>	1/3 type CMOS (primary color filter)
<b>Number of Effective Pixels</b>	Approx. 1.3 million pixels
<b>Scanning Method</b>	Progressive
<b>Lens</b>	30x optical zoom (20x digital zoom) lens with auto focus
<b>Focal Length</b>	4.4 (W) - 132 mm (T) <sup>1)</sup>
<b>F-number</b>	F1.4 (W) - F4.6 (T)
<b>Viewing Angle</b>	<b>For 16:9 aspect ratios:</b> Horizontal: 58.4° (W) - 2.1° (T) Vertical: 34.1° (W) - 1.2° (T) <b>For 4:3 aspect ratios</b> Horizontal: 58.4° (W) - 2.1° (T) Vertical: 45.0° (W) - 1.6° (T)
<b>Day/Night Switch</b>	Auto / Manual
<b>Min. Subject Illumination</b>	<b>(F1.4, shutter speed 1/30 sec., when smart shade control is off, 50IRE)</b> Day Mode (colour): 0.03 lux Night Mode (mono): 0.002 lux  When using the Dome Unit (Smoked) (sold separately) Day Mode (colour): 0.06 lux Night Mode (mono): 0.004 lux
<b>Focus</b>	Auto / One-shot AF / Manual / Fixed at infinity
<b>Shooting Distance (from front of lens)</b>	Day Mode: 0.3 m (12 in.) - infinity (W), 2.0 m (6.6 ft.) - infinity (T) Night Mode: 1.0 m (3.3 ft.) - infinity (W), 2.0 m (6.6 ft.) - infinity (T)
<b>Shutter Speed</b>	1, 1/2, 1/4, 1/8, 1/15, 1/30, 1/60, 1/100, 1/120, 1/250, 1/500, 1/1000, 1/2000, 1/4000, 1/8000, 1/10000, 1/16000 sec.
<b>Exposure</b>	Auto / Auto (Flickerless) / Auto (Shutter-priority AE) / Manual (Shutter Speed, Aperture, Gain)
<b>White Balance</b>	Auto / Light Source / Manual Light Source: Daylight Fluorescent / White Fluorescent / Warm Fluorescent / Mercury Lamp / Sodium Lamp / Halogen Lamp Manual: One-shot WB / R Gain / B Gain
<b>Metering Mode</b>	Center-Weighted / Average / Spot
<b>Exposure Compensation</b>	9 levels
<b>Smart Shade Control</b>	Auto / Manual / Disable Auto: 3 levels Manual: 7 levels - Brightens shaded areas of a video
<b>Haze Compensation</b>	Auto/Manual / Disable Auto: 3 levels Manual: 7 levels
<b>AGC Limit</b>	6 levels
<b>Image Stabilizer</b>	2 levels (digital)
<b>Pan Angle Range</b>	360°continuous panning
<b>Tilt Angle Range</b>	180° (ceiling-mounted position: 0° - 180°) - When the horizontal direction of the camera is 0°
<b>Moving Speed</b>	Pan: Max. 450°/sec. Tilt: Max. 450°/sec.
SERVER	
<b>Video Compression Method</b>	JPEG, H.264
<b>Video Size</b>	JPEG, H.264: 1280 x 720, 640 x 360, 320 x 180 1280 x 960, 640 x 480, 320 x 240
<b>Video Quality</b>	JPEG, H.264: 10 levels
<b>Frame Rate</b>	JPEG: 0.1 - 30 fps H.264: 1/2/3/5/6/10/15/30 fps  - Values represent streaming performance from the camera. - The frame rate may be reduced due to Viewer computer's specs, the number of clients accessing at the same time, network loads, video quality setting, type or movement of the subject or other reasons.  Maximum frame rate when used in the following combinations: When streaming H.264(1) (1280 x 720) and H.264(2) (1280 x 720) simultaneously: 15 fps When streaming H.264(1) (1280 x 960) and H.264(2) (1280 x 960) simultaneously: 15 fps
<b>I-Frame Interval</b>	0.5/1/1.5/2/3/4/5 sec.
<b>Simultaneous Client Access</b>	Max. 30 Clients + 1 Admin Client - H.264: Max. 10 Clients
<b>Bit Rate Control</b>	Target Bit Rate: 64 / 128 / 256 / 384 / 512 / 768 / 1024 / 2048 / 3072 / 4096 / 6144 / 8192 / 10240 / 12288 / 14336 / 16384 kbps
<b>ADSR: Area-specific Data Size Reduction</b>	Number of Specified Areas: Max. 8 areas
<b>Security</b>	Camera Control: Administrator, Authorized user, Guest user (level of control varies depending on user) Access Control: User authority (user name and password), Host Access Restrictions (IPv4, IPv6) IEEE802.1X: EAP-MD5, EAP-TLS, EAP-TTLS, EAP-PEAP Encrypted Communications: SSL/TLS, IPsec

<b>Protocol</b>	IPv4: TCP/IP, UDP, HTTP, FTP, SNMP (MIB2), SMTP (Client), DHCP (Client), DNS (Client), mDNS, ARP, ICMP, POP3 (Client), NTP (Client), SMTP authentication (POP before SMTP, SMTP-AUTH), AutoIP, RTP/RTCP, RTSP, SSL/TLS, IPsec, WV-HTTP (Canon proprietary), ONVIF (Profile S, Profile G)  IPv6: TCP/IP, UDP, HTTP, FTP, SMTP (Client), DHCPv6 (Client), DNS (Client), mDNS, ICMPv6, POP3 (Client), NTP (Client), SMTP authentication (POP before SMTP, SMTP-AUTH), RTP/RTCP, RTSP, SSL/TLS, IPsec, WV-HTTP (Canon proprietary), ONVIF (Profile S, Profile G)
<b>Audio Compression Method</b>	G.711 µ-law (64 kbps)
<b>Audio Communication Method</b>	Full-duplex (two-way) - Echo cancellation function compliant RTP, Sound Transfer Protocol by Canon
<b>Audio File Playback</b>	Available (audio files can be played back when an event is triggered by the intelligent function or external device input.) - A third-party amplifier speaker is necessary
<b>Privacy Mask</b>	Number of registration: Max. 8 places, Number of mask colors: 1 (select from 9 colors)
<b>View Restriction</b>	Available
<b>Preset</b>	Number of registers: Max. 256 positions (+Home Position) Items to Reg.: Pan / Tilt / Zoom, Exposure, Smart Shade Control, Focus, White Balance, Video Quality Adjustment, Day / Night, Haze Compensation Number of Preset Tour Route: Max. 5
<b>Intelligent Function (Video)</b>	Detection Types: Moving Object Detection, Abandoned Object Detection, Removed Object Detection, Camera Tampering Detection, Passing Detection, Intrusion Detection, and Auto Tracking Detection Settings: Max. 15
<b>Intelligent Function (Audio)</b>	Volume Detection, Scream Detection
<b>Event Trigger Type</b>	External Device Input, Intelligent Function (Video), Intelligent Function (Audio), Timer, Day / Night Switch Number of Linked Events: 2 Linked Event Conditions: AND, OR (whether or not there is a sequence to events)
<b>Image Upload</b>	FTP/HTTP/SMTP (e-mail)
<b>Event Notification</b>	HTTP/SMTP (e-mail)
<b>On-Screen Display</b>	Available
<b>Daylight Saving Time</b>	Available
APPLICATION	
<b>Viewer</b>	Camera-side: Admin Viewer VB Viewer Client-side: RM-Lite Viewer
<b>Admin Tools</b>	Privacy Mask Setting Tool Panorama Creation Tool View Restriction Setting Tool Intelligent Function Setting Tool Log Viewer Recorded Video Utility
<b>Included Software</b>	Camera Management Tool RM-Lite Proxy Authentication Admin Tools/Admin Viewer
<b>Language</b>	German / English / Spanish / French / Italian / Russian / Turkish / Chinese (Simplified) / Japanese
<b>Operating Environment (PC specifications and OS (does not apply to RM-Lite))</b>	<b>OS:</b> Windows Vista Ultimate / Business / Enterprise / Home Premium SP2 32/64-bit  <b>Operating System Language:</b> German / English / Spanish / French / Italian / Russian / Turkish / Chinese (Simplified) / Japanese - Language switching environment using language-packs is not supported  <b>Compatible Browser:</b> Internet Explorer 8/9 32-bit Internet Explorer 10/11 - Must be configured to allow use of JavaScript, XAML browser applications, and IFRAME (html tag). - For VB Viewer only, cookies must be enable  <b>Software (Runtime Libraries)</b> .NET Framework 3.5 SP1 (When using Internet Explorer 8/9) - Must be installed on Windows Vista and Windows Server 2008 systems  .NET Framework 4.5 (When using Internet Explorer 10/11) - Must be installed on Windows 7 and Windows Server 2008 R2 systems  <b>CPU (Recommended)</b> Intel Core i7-2600 or higher  <b>Graphics Board (Recommended)</b> Not specified  <b>Memory (Recommended)</b> 2 GB or higher  <b>Viewer Display (Recommended)</b> 1920 x 1080 or higher

# Technical Specifications

# VB-R11

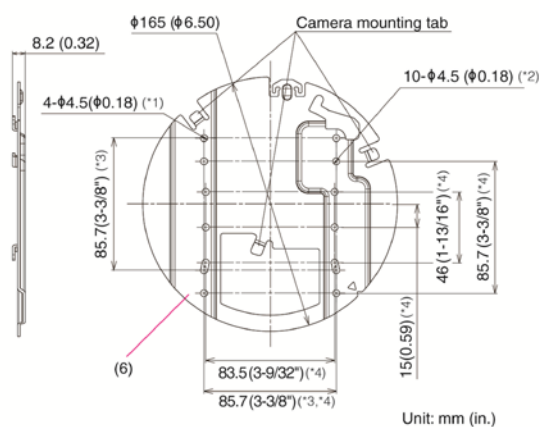
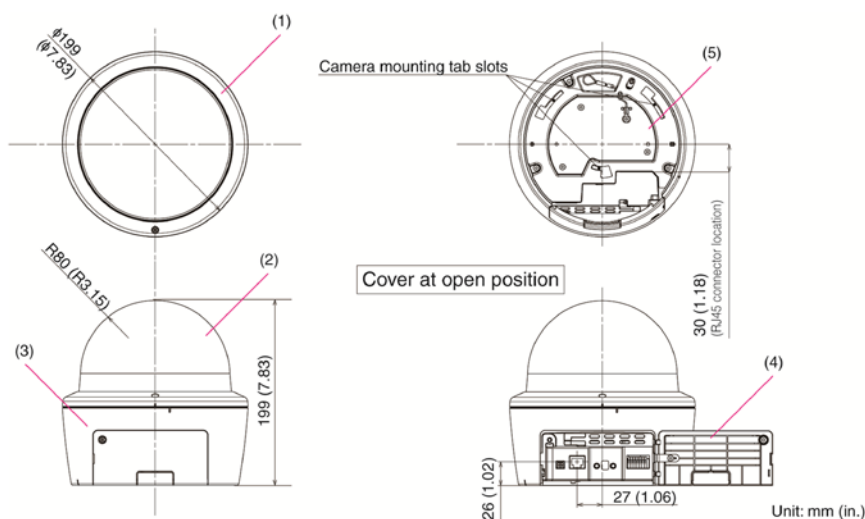
INTERFACE	
<b>Network Terminal</b>	LAN x 1 (RJ45, 100Base-TX (auto / full-duplex / half-duplex))
<b>Audio Input Terminal (common for LINE IN &amp; MIC IN)</b>	φ3.5 mm (φ0.14 in.) mini-jack connector (monaural) LINE IN (connect to an amplifier microphone) or MIC IN (connect to a microphone w/o amplifier) - Switch LINE IN / MIC IN in the setting page.
<b>Audio Output Terminal (LINE OUT)</b>	φ3.5 mm (φ0.14 in.) mini-jack connector (monaural) LINE OUT (connect to an amplifier speaker)
<b>External Device I/O Terminal</b>	Input x 2, Output x 2
<b>Memory Card</b>	SD Memory Card, SDHC Memory Card, SDXC Memory Card Compatible. Recorded Content: Log, Video (Event, Manual, ONVIF, Timer, Upload) Frame Rate: Max. 1 fps (JPEG) Max. 30 fps (H.264)

OTHER	
<b>Operating Environment</b>	Temperature AC, DC, PoE: -10°C - +50°C (+14°F - +122°F)  Humidity 5% - 85% (without condensation)
<b>Power Supply</b>	PoE: PoE power supply via LAN connector (IEEE802.3at Type1 compliant) AC Adapter: PA-V18 (100 - 240 V AC) (sold separately) External power source: 24 V AC/12 V DC
<b>Power Consumption</b>	PoE: Max. approx. 9.5 W AC Adapter PA-V18: Max. approx. 9.6 W (100 V AC) Max. approx. 9.8 W (240 V AC) DC: Max. approx. 8.8 W AC: Max. approx. 9.2 W
<b>Dimensions</b>	(φ x H) φ199 x 199 mm (φ7.83 x 7.83 in.) - Camera only (excluding Ceiling Plate)
<b>Weight</b>	Approx. 1990 g (4.39 lb.)

## What's in the box?

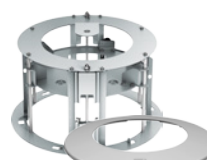
- VB-R11 Main Unit
- Setup CD-ROM
- Ceiling Plate
- Wrench
- Template
- Power Connector
- Installation Guide
- Warranty Card
- Leaflet of Warranty Card
- Packaging

## Dimensions



- \*1 Ceiling mount holes
- \*2 Junction box fixing holes
- \*3 Ceiling mount holes position
- \*4 Junction box fixing holes position

## Compatible Accessories



**SR11-S-VB**  
Recessed mounting Kit



**PC640-VB**  
Pendant Mounting Kit



**PA-V17 / PA-V18**  
AC Power Supply  
\*Available in Euro 2-Pin & UK 3-Pin plug



**SR11-P-VB**  
Plenum Recessed Mounting Kit  
(Fire resistant)



**DU10-S-VB**  
Smoked Dome Unit