

VB-M741LE & VB-M740E

Keep every outdoor angle covered

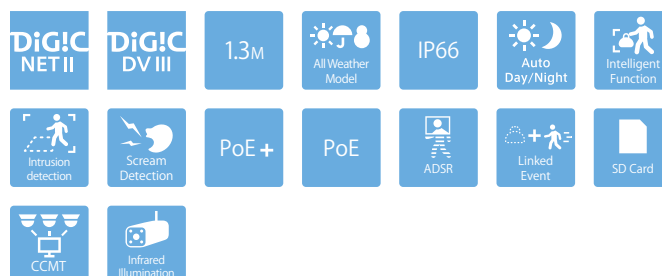
Ideal for use in extremely cold and hazardous outdoor areas these 1.3 MP bullet cameras offer built-in IR LED* an ultra wide 113.4° angle of view for high quality imaging day or night.



- Outdoor 1.3 MP bullet cameras with inbuilt Infrared illumination* for high quality imaging day or night
- Bright f/1.2-1.8 IR Corrected 2.4x zoom Super-UD lens with ultra wide 113.4° angle of view and extended low light capabilities
- Outdoor-ready with extensive weatherproofing and environmental protection
- Reliable start up at -30° and operation in extremely cold environments down to -50°C*
- Easy and convenient installation with remote zoom and focus set up and simple pigtail connection

Product Range

VB-M741LE
VB-M740E
VB-H730F
VB-M720F



(All Weather Model, Scream, PoE+, Linked Event and Infrared Illumination - VB-M741LE only)

* Applies to VB-M741LE only

VB-M741LE & VB-M740E

Technical Specifications

	VB-M741LE	VB-M740E
CAMERA		
Image Sensor	1/3 type CMOS (primary color filter)	
Number of Effective Pixels	Approx. 1.3 million pixels	
Scanning Method	Progressive	
Lens	2.4 optical zoom (4x digital zoom) lens (electric drive)	
Focal Length	2.55 (W) – 6.12 mm (T)	
F-number	F1.2 (W) – F1.8 (T)	
Viewing Angle	For 16:9 aspect ratios Horizontal: 113.4° (W) – 46.5° (T) Vertical: 61.4° (W) – 26.2° (T) For 4:3 aspect ratios Horizontal: 113.4° (W) – 46.5° (T) Vertical: 83.0° (W) – 34.9° (T)	
Day/Night Switch	Auto / Manual	
Min. Subject Illumination	(F1.2, shutter speed 1/30 sec., when smart shade control is off, 50IRE) Day Mode (colour) : 0.02 lux Night Mode (mono): 0 lux (with IR lamp on) 0.001 lux (with IR lamp off)	
Focus	Auto / One-shot AF / Manual / Fixed at infinity	
Shooting Distance (from front of lens)	Day Mode: 0.3 m (12 in.) – infinity Night Mode: 0.3 m (12 in.) – infinity	
Shutter Speed	1, 1/2, 1/4, 1/8, 1/15, 1/30, 1/60, 1/100, 1/120, 1/250, 1/500, 1/1000, 1/2000, 1/4000, 1/8000, 1/10000, 1/16000 sec.	
Exposure	Auto / Auto (Flickerless) / Auto (Shutter-priority AE) / Manual (Shutter Speed, Aperture, Gain)	
White Balance	Auto / Light Source / Manual Light Source: Daylight Fluorescent / White Fluorescent / Warm Fluorescent / Mercury Lamp / Sodium Lamp / Halogen Lamp Manual: One-shot WB / R Gain / B Gain	
Metering Mode	Center-Weighted / Average / Spot	
Exposure Compensation	9 levels	
Smart Shade Control	Auto / Manual / Disable Auto: 3 levels Manual: 7 levels – Brightens shaded areas of a video	
Haze Compensation	Auto / Manual / Disable Auto: 3 levels Manual: 7 levels	
AGC Limit	6 levels	
Image Stabilizer	2 levels (digital)	
IR Illumination Range	30 m (98.4 ft.) (When using 24 V AC, PoE+)	–
Pan Angle Range	344° (±172°)	
Tilt Angle Range	93° (-3° – +90°) – Camera is at 0° when attached to the ceiling and facing straight down, and 90° when at a horizontal position.	
Rotation Angle Range	344° (±172°)	
SERVER		
Video Compression Method	JPEG, H.264	
Video Size	JPEG, H.264: 1280 x 720, 640 x 360, 320 x 180 1280 x 960, 640 x 480, 320 x 240	
Video Quality	JPEG, H.264: 10 levels	
Frame Rate	JPEG: 0.1 – 30 fps H.264: 1/2/3/5/6/10/15/30 fps – Values represent streaming performance from the camera. – The frame rate may be reduced due to Viewer computer's specs, the number of clients accessing at the same time, network loads, video quality setting, type or movement of the subject or other reasons. Maximum frame rate when used in the following combinations: When streaming H.264(1) (1280 x 720) and H.264(2) (1280 x 720) simultaneously: 15 fps When streaming H.264(1) (1280 x 960) and H.264(2) (1280 x 960) simultaneously: 15 fps	
I-Frame Interval	0.5/1/1.5/2/3/4/5 sec.	
Simultaneous Client Access	Max. 30 Clients + 1 Admin Client – H.264: Max. 10 Clients	
Bit Rate Control	Target Bit Rate: 64 / 128 / 256 / 384 / 512 / 768 / 1024 / 2048 / 3072 / 4096 / 6144 / 8192 / 10240 / 12288 / 14336 / 16384 kbps	
ADSR: Area-specific Data Size Reduction	Number of Specified Areas: Max. 8 areas	
Security	Camera Control: Administrator, Authorized user, Guest user (level of control varies depending on user) Access Control: User authority (user name and password), Host Access Restrictions (IPv4, IPv6) IEEE802.1X: EAP-MD5, EAP-TLS, EAP-TTLS, EAP-PEAP Encrypted Communications: SSL/TLS, IPsec	
Protocol	IPv4: TCP/IP, UDP, HTTP, FTP, SNMP (MIB2), SMTP (Client), DHCP (Client), DNS (Client), mDNS, ARP, ICMP, POP3 (Client), NTP (Client), SMTP authentication (POP before SMTP, SMTP-AUTH), AutoIP, RTP/RTCP, RTSP, SSL/TLS, IPsec, WV-HTTP (Canon proprietary), ONVIF (Profile S, Profile G) IPv6: TCP/IP, UDP, HTTP, FTP, SMTP (Client), DHCPv6 (Client), DNS (Client), mDNS, ICMPv6, POP3 (Client), NTP (Client), SMTP authentication (POP before SMTP, SMTP-AUTH), RTP/RTCP, RTSP, SSL/TLS, IPsec, WV-HTTP (Canon proprietary), ONVIF (Profile S, Profile G)	

	VB-M741LE	VB-M740E
Audio Compression Method	G.711 µ-law (64 kbps)	–
Audio Communication Method	Full-duplex (two-way) – Echo cancellation function compliant RTP, Sound Transfer Protocol by Canon	–
Audio File Playback	Available (audio files can be played back when an event is triggered by the intelligent function or external device input.) – A third-party amplifier speaker is necessary	–
Privacy Mask	Number of registration: Max. 8 places, Number of mask colors: 1 (select from 9 colors)	–
Preset	Number of registers: Max. 20 positions (+Home Position) Items to Reg.: Digital Pan/Digital Tilt/Digital Zoom, Exposure, Smart Shade Control, Focus, White Balance, Video Quality Adjustment, Day/Night, Haze Compensation Number of Preset Tour Route: Max. 1	
Intelligent Function (Video)	Detection Types: Moving Object Detection, Abandoned Object Detection, Removed Object Detection, Camera Tampering Detection, Passing Detection, and Intrusion Detection Detection Settings: Max. 15	
Intelligent Function (Audio)	Volume Detection, Scream Detection	
Event Trigger Type	External Device Input, Intelligent Function (Video), Intelligent Function (Audio), Timer, Day/Night Switch Number of Linked Events: 2 Linked Event Conditions: AND, OR (whether or not there is a sequence to events)	Intelligent Function (Video), Timer, Day/Night Switch
Image Upload	FTP/HTTP/SMTP (e-mail)	
Event Notification	HTTP/SMTP (e-mail)	
Image Cropping Function	Digital PTZ Cropping sizes: 640 x 360 / 512 x 288 / 384 x 216 / 256 x 144 / 128 x 72 640 x 480 / 512 x 384 / 384 x 288 / 256 x 192 / 128 x 96	
On-Screen Display	Available	
Daylight Saving Time	Available	
APPLICATION		
Viewer	Camera-side: Admin Viewer VB Viewer Client-side: RM-Lite Viewer	
Admin Tools	Privacy Mask Setting Tool Intelligent Function Setting Tool Log Viewer Recorded Video Utility	
Included Software	Camera Management Tool Camera Angle Setting Tool RM-Lite Proxy Authentication Admin Tools/Admin Viewer	
Language	German/English/Spanish/French/Italian/Russian/Turkish/Chinese (Simplified)/Japanese	
Operating Environment (PC specifications and OS (does not apply to RM-Lite))	OS: Windows Vista Ultimate / Business / Enterprise / Home Premium SP2 32 / 64-bit Operating System Language: German / English / Spanish / French / Italian / Russian / Turkish / Chinese (Simplified) / Japanese – Language switching environment using language-packs is not supported Compatible Browser: Internet Explorer 8/9 32-bit Internet Explorer 10/11 – Must be configured to allow use of JavaScript, XAML browser applications, and IFRAME (html tag). – For VB Viewer only, cookies must be enabled Software (Runtime Libraries): .NET Framework 3.5 SPI (When using Internet Explorer 8/9) – Must be installed on Windows Vista and Windows Server 2008 systems .NET Framework 4.5 (When using Internet Explorer 10/11) – Must be installed on Windows 7 and Windows Server 2008 R2 systems CPU (Recommended): Intel Core i7-2600 or higher Graphics Board (Recommended): Not specified Memory (Recommended): 2 GB or higher Viewer Display (Recommended): 1920 x 1080 or higher	
INTERFACE		
Network Terminal	LAN x 1 (RJ45, 100Base-TX (auto/full-duplex/half-duplex))	
Audio Input Terminal (common for LINE IN & MIC IN)	φ3.5 mm (φ0.14 in.) mini-jack connector (monaural) LINE IN (connect to an amplifier microphone) or MIC IN (connect to a microphone w/o amplifier) – Switch LINE IN/MIC IN in the setting page.	–

Canon Inc.
canon.com

Canon Europe
canon-europe.com

English edition
© Canon Europa N.V., 2015



VB-M741LE & VB-M740E

Technical Specifications

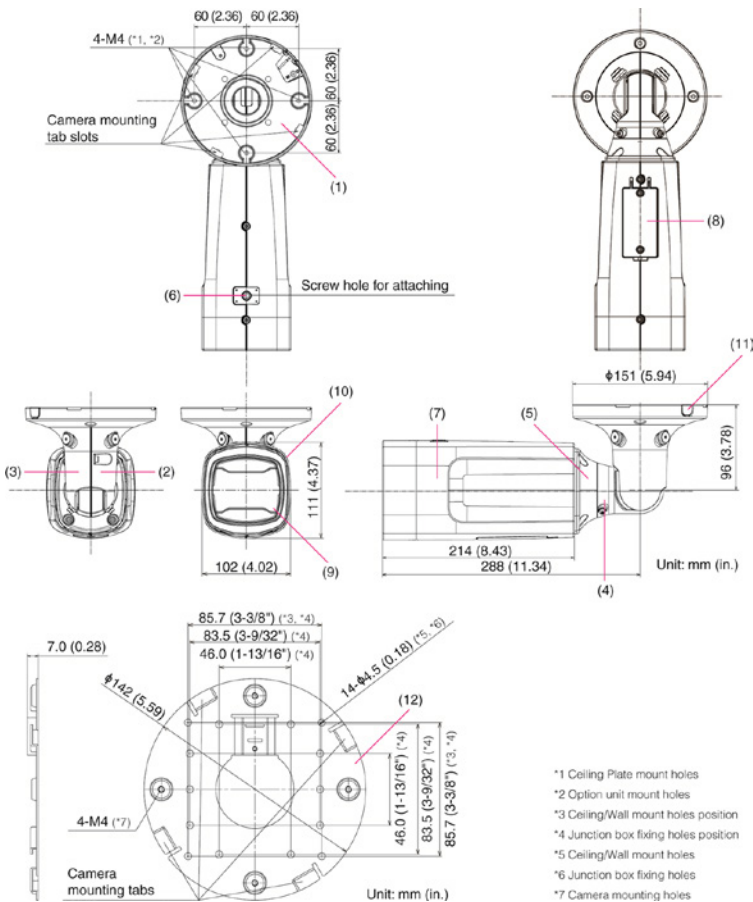
	VB-M741LE	VB-M740E
Audio Output Terminal (LINE OUT)	φ3.5 mm (φ0.14 in.) mini-jack connector (monaural) LINE OUT (connect to an amplifier speaker)	-
External Device I/O Terminal	Input x 2, Output x 2	-
Memory Card	SD Memory Card, SDHC Memory Card, SDXC Memory Card Compatible. Recorded Content: Log, Video (Event, Manual, ONVIF, Timer, Upload) Frame Rate: Max. 1 fps (JPEG) Max. 30 fps (H.264)	
OTHER		
Operating Environment	Temperature Operating Temperature Range (including direct sun exposure) AC, PoE+: -50°C - +55°C (-58°F - +131°F) DC, PoE: -10°C - +55°C (+14°F - +131°F) Start-up Temperature Range (including direct sun exposure) AC, PoE+: -30°C - +55°C (-22°F - +131°F) DC, PoE: -10°C - +55°C (+14°F - +131°F) Humidity 5% - 85% (without condensation)	Temperature Operating Temperature Range (including direct sun exposure) PoE: -10°C - +55°C (+14°F - +131°F) Humidity 5% - 85% (without condensation)

	VB-M741LE	VB-M740E
Power Supply	PoE: PoE+ power supply via LAN connector (IEEE802.3at Type2 compliant) AC Adapter: PA-V18 (100 - 240 V AC) (sold separately) External power source: 24 V AC/12 V DC	PoE: PoE power supply via LAN connector (IEEE802.3at Type1 compliant)
Power Consumption	PoE+: Max. approx. 21.2 W PoE: Max. approx. 10.1 W AC Adapter PA-V18: Max. approx. 12.8 W (100 V AC) Max. approx. 12.8 W (240 V AC) DC: Max. approx. 11.1 W AC: Max. approx. 22.2 W	PoE: Max. approx. 7.4 W
Dimensions	(H x W x D) 111 x 102 x 214 mm (4.37 x 4.02 x 8.43 in.) (camera body only) - Length when joint fully extended (D): 384 mm (15.12 in.)	
Weight	Approx. 2120 g (4.68 lb.)	Approx. 2040 g (4.50 lb.)
Dust-resistant/Waterproof Specification	IP66 rated NEMA Type 4X, IEC 60950-1/22	

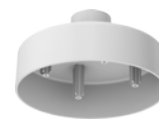
What's in the box?

- Setup CD-ROM
- Safety Wire & fixing screw
- Ceiling Plate & fixing screws
- Wrench
- Template
- Power Interface Cable
- I/O Interface Cable
- Installation Guide
- Warranty Card
- Leaflet of Warranty Card
- Packaging

Dimensions



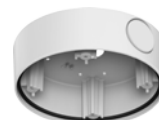
Compatible Accessories



PC640-VB
Pendant Mounting Kit



PA-V17 / PA-V18
AC Power Supply
*Available in Euro 2-Pin & UK 3-Pin plug



CB740-VB
Conduit Box