

# VB-M641VE & VB-M640VE

## Keep every outdoor angle covered

Fully outdoor-ready, with IK10 vandal resistance. These 1.3 MP dome cameras feature a Super-UD IR Corrected lens with an ultra wide 111.5° angle of view and high quality imaging day or night in extremely cold and hazardous areas.



With sunshade cover



- Outdoor fixed domes with 1.3 MP high sensitivity CMOS sensor for high quality imaging day or night
- Bright f/1.2-1.8 IR Corrected 2.4x Super-UD zoom lens with ultra wide 111.5° angle of view and superb low light performance
- Easy installation with remote PTRZ set up and simple pigtail connection plus additional Intruder and Scream detection
- Fully outdoor-ready, with IK10 vandal resistance and extensive weatherproofing and environmental protection
- Reliable start up and operation in extremely cold environments as low as -40°C with optional heater unit (VB-M641VE)

### Product Range

**VB-M641VE**  
**VB-M640VE**  
VB-H630VE  
VB-M620VE



(Scream Detection & Linked Events - VB-M641VE only)

# Technical Specifications

# VB-M641VE & VB-M640VE

	VB-M641VE	VB-M640VE
<b>CAMERA</b>		
<b>Image Sensor</b>	1/3 type CMOS (primary color filter)	
<b>Number of Effective Pixels</b>	Approx. 1.3 million pixels	
<b>Scanning Method</b>	Progressive	
<b>Lens</b>	2.4 optical zoom (4x digital zoom) lens (electric drive)	
<b>Focal Length</b>	2.55 (W) - 6.12 mm (T)	
<b>F-number</b>	F1.2 (W) - F1.8 (T)	
<b>Viewing Angle</b>	<b>For 16:9 aspect ratios:</b> Horizontal: 111.5° (W) - 46.2° (T) Vertical: 60.5° (W) - 25.9° (T)  <b>For 4:3 aspect ratios:</b> Horizontal: 111.5° (W) - 46.2° (T) Vertical: 81.7° (W) - 34.6° (T)	
<b>Day/Night Switch</b>	Auto / Manual	
<b>Min. Subject Illumination</b>	<b>(F1.2, shutter speed 1/30 sec., when smart shade control is off, 50IRE)</b> Day Mode (colour): 0.02 lux Night Mode (mono): 0.001 lux  When using the Dome Unit (Smoked) (sold separately) Day Mode (colour): 0.04 lux Night Mode (mono): 0.002 lux	
<b>Focus</b>	Auto / One-shot AF / Manual / Fixed at infinity	
<b>Shooting Distance (from front of lens)</b>	Day Mode: 0.3 m (12 in.) - infinity Night Mode: 0.3 m (12 in.) - infinity	
<b>Shutter Speed</b>	1, 1/2, 1/4, 1/8, 1/15, 1/30, 1/60, 1/100, 1/120, 1/250, 1/500, 1/1000, 1/2000, 1/4000, 1/8000, 1/10000, 1/16000 sec.	
<b>Exposure</b>	Auto / Auto (Flickerless) / Auto (Shutter-priority AE) / Manual (Shutter Speed, Aperture, Gain)	
<b>White Balance</b>	Auto / Light Source / Manual Light Source: Daylight Fluorescent / White Fluorescent / Warm Fluorescent / Mercury Lamp / Sodium Lamp / Halogen Lamp Manual: One-shot WB / R Gain / B Gain	
<b>Metering Mode</b>	Center-Weighted / Average / Spot	
<b>Exposure Compensation</b>	9 levels	
<b>Smart Shade Control</b>	Auto / Manual / Disable Auto: 3 levels Manual: 7 levels - Brightens shaded areas of a video	
<b>Haze Compensation</b>	Auto / Manual / Disable Auto: 3 levels Manual: 7 levels	
<b>AGC Limit</b>	6 levels	
<b>Image Stabilizer</b>	2 levels (digital)	
<b>Pan Angle Range</b>	350° (±175°)	
<b>Tilt Angle Range</b>	150° (±75°)	
<b>Rotation Angle Range</b>	350° (±175°)	
<b>Moving Speed</b>	Pan: 20.1°/sec. Tilt: 20.7°/sec. Rotation: 40.0°/sec. - When Using Camera Angle Setting Tool	
<b>SERVER</b>		
<b>Video Compression Method</b>	JPEG, H.264	
<b>Video Size</b>	JPEG, H.264: 1280 x 720, 640 x 360, 320 x 180 1280 x 960, 640 x 480, 320 x 240	
<b>Video Quality</b>	JPEG, H.264: 10 levels	
<b>Frame Rate</b>	JPEG: 0.1 - 30 fps H.264: 1 / 2 / 3 / 5 / 6 / 10 / 15 / 30 fps  - Values represent streaming performance from the camera. - The frame rate may be reduced due to Viewer computer's specs, the number of clients accessing at the same time, network loads, video quality setting, type or movement of the subject or other reasons.  Maximum frame rate when used in the following combinations: When streaming H.264(1) (1280 x 720) and H.264(2) (1280 x 720) simultaneously: 15 fps When streaming H.264(1) (1280 x 960) and H.264(2) (1280 x 960) simultaneously: 15 fps	
<b>I-Frame Interval</b>	0.5 / 1 / 1.5 / 2 / 3 / 4 / 5 sec.	
<b>Simultaneous Client Access</b>	Max. 30 Clients + 1 Admin Client - H.264: Max. 10 Clients	
<b>Bit Rate Control</b>	Target Bit Rate: 64 / 128 / 256 / 384 / 512 / 768 / 1024 / 2048 / 3072 / 4096 / 6144 / 8192 / 10240 / 12288 / 14336 / 16384 kbps	
<b>ADSR: Area-specific Data Size Reduction</b>	Number of Specified Areas: Max. 8 areas	

	VB-M641VE	VB-M640VE
<b>Security</b>		
	Camera Control: Administrator, Authorized user, Guest user (level of control varies depending on user) Access Control: User authority (user name and password), Host Access Restrictions (IPv4, IPv6) IEEE802.1X: EAP-MD5, EAP-TLS, EAP-TLS, EAP-PEAP Encrypted Communications: SSL/TLS, IPsec	
<b>Protocol</b>		
	IPv4: TCP/IP, UDP, HTTP, FTP, SNMP (MIB2), SMTP (Client), DHCP (Client), DNS (Client), mDNS, ARP, ICMP, POP3 (Client), NTP (Client), SMTP authentication (POP before SMTP, SMTP-AUTH), AutoIP, RTP/RTCP, RTSP, SSL/TLS, IPsec, WV-HTTP (Canon proprietary), ONVIF (Profile S, Profile G)  IPv6: TCP/IP, UDP, HTTP, FTP, SMTP (Client), DHCPv6 (Client), DNS (Client), mDNS, ICMPv6, POP3 (Client), NTP (Client), SMTP authentication (POP before SMTP, SMTP-AUTH), RTP/RTCP, RTSP, SSL/TLS, IPsec, WV-HTTP (Canon proprietary), ONVIF (Profile S, Profile G)	
<b>Audio Compression Method</b>	G.711 µ-law (64 kbps)	-
<b>Audio Communication Method</b>	Full-duplex (two-way) - Echo cancellation function compliant RTP, Sound Transfer Protocol by Canon	-
<b>Audio File Playback</b>	Available (audio files can be played back when an event is triggered by the intelligent function or external device input.) - A third-party amplifier speaker is necessary	-
<b>Privacy Mask</b>	Number of registration: Max. 8 places, Number of mask colors: 1 (select from 9 colors)	
<b>Preset</b>	Number of registers: Max. 20 positions (+Home Position) Items to Reg.: Digital Pan / Digital Tilt / Digital Zoom, Exposure, Smart Shade Control, Focus, White Balance, Video Quality Adjustment, Day / Night, Haze Compensation Number of Preset Tour Route: Max. 1	
<b>Intelligent Function (Video)</b>	Detection Types: Moving Object Detection, Abandoned Object Detection, Removed Object Detection, Camera Tampering Detection, Passing Detection, and Intrusion Detection Detection Settings: Max. 15	
<b>Intelligent Function (Audio)</b>	Volume Detection, Scream Detection	-
<b>Event Trigger Type</b>	External Device Input, Intelligent Function (Video), Intelligent Function (Audio), Timer, Day / Night Switch Number of Linked Events: 2 Linked Event Conditions: AND, OR (whether or not there is a sequence to events)	Intelligent Function (Video), Timer, Day / Night Switch
<b>Image Upload</b>	FTP/HTTP/SMTP (e-mail)	
<b>Event Notification</b>	HTTP/SMTP (e-mail)	
<b>Image Cropping Function</b>	Digital PTZ Cropping sizes: 640 x 360/512 x 288/384 x 216/256 x 144/128 x 72 640 x 480/512 x 384/384 x 288/256 x 192/128 x 96	
<b>On-Screen Display</b>	Available	
<b>Daylight Saving Time</b>	Available	
<b>APPLICATION</b>		
<b>Viewer</b>	Camera-side:	Admin Viewer VB Viewer Client-side: RM-Lite Viewer
<b>Admin Tools</b>	Privacy Mask Setting Tool Intelligent Function Setting Tool Log Viewer Recorded Video Utility	
<b>Included Software</b>	Camera Management Tool Camera Angle Setting Tool RM-Lite Proxy Authentication Admin Tools/Admin Viewer	
<b>Language</b>	German / English / Spanish / French / Italian / Russian / Turkish / Chinese (Simplified) / Japanese	
<b>Operating Environment (PC specifications and OS (does not apply to RM-Lite))</b>	<b>OS:</b> Windows Vista Ultimate / Business / Enterprise / Home Premium SP2 32/64-bit  <b>Operating System Language:</b> German / English / Spanish / French / Italian / Russian / Turkish / Chinese (Simplified) / Japanese - Language switching environment using language-packs is not supported  <b>Compatible Browser:</b> Internet Explorer 8/9 32-bit Internet Explorer 10/11 - Must be configured to allow use of JavaScript, XAML browser applications, and IFRAME (html tag). - For VB Viewer only, cookies must be enabled	

# Technical Specifications

# VB-M641VE & VB-M640VE

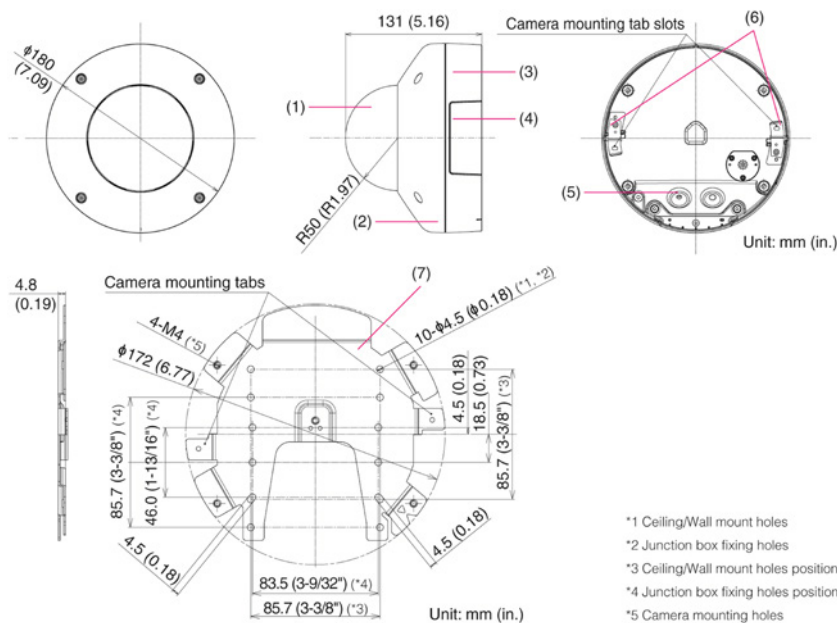
	VB-M641VE	VB-M640VE
	<b>Software (Runtime Libraries)</b> .NET Framework 3.5 SP1 (When using Internet Explorer 8/9) - Must be installed on Windows Vista and Windows Server 2008 systems .NET Framework 4.5 (When using Internet Explorer 10/11) - Must be installed on Windows 7 and Windows Server 2008 R2 systems  <b>CPU (Recommended)</b> Intel Core i7-2600 or higher  <b>Graphics Board (Recommended)</b> Not specified  <b>Memory (Recommended)</b> 2 GB or higher  <b>Viewer Display (Recommended)</b> 1920 x 1080 or higher	
<b>INTERFACE</b>		
<b>Network Terminal</b>	LAN x 1 (RJ45, 100Base-TX (auto/full-duplex / half-duplex))	
<b>Audio Input Terminal (common for LINE IN &amp; MIC IN)</b>	φ3.5 mm (φ0.14 in.) mini-jack connector (monaural) LINE IN (connect to an amplifier microphone) or MIC IN (connect to a microphone w/o amplifier) - Switch LINE IN/MIC IN in the setting page.	-
<b>Audio Output Terminal (LINE OUT)</b>	φ3.5 mm (φ0.14 in.) mini-jack connector (monaural) LINE OUT (connect to an amplifier speaker)	-
<b>External Device I/O Terminal</b>	Input x 2, Output x 2	-
<b>Memory Card</b>	microSD Memory Card, microSDHC Memory Card, microSDXC Memory Card Compatible. Recorded Content: Log, Video (Event, Manual, ONVIF, Timer, Upload) Frame Rate: Max. 1 fps (JPEG) Max. 30 fps (H.264)	

OTHER	VB-M641VE	VB-M640VE
<b>Operating Environment</b>	Temperature When the heater unit (sold separately) is installed Operating Temperature Range: AC: -40°C - +55°C (-40°F - +131°F) DC, PoE: -10°C - +55°C (+14°F - +131°F) Start-up Temperature Range: AC: -30°C - +55°C (-22°F - +131°F) DC, PoE: -10°C - +55°C (+14°F - +131°F)	Temperature PoE: -10°C - +55°C (+14°F - +131°F) - Sunshade cover (sold separately) necessary when under direct sun exposure  Humidity 5% - 85% (without condensation)
<b>Power Supply</b>	- Sunshade cover (sold separately) necessary when under direct sun exposure When the heater unit (sold separately) is not installed AC, DC, PoE: -10°C - +55°C (+14°F - +131°F) - Sunshade cover (sold separately) necessary when under direct sun exposure  Humidity 5% - 85% (without condensation)	PoE: PoE power supply via LAN connector (IEEE802.3at Type1 compliant)
<b>Power Consumption</b>	PoE: Max. approx. 8.9 W AC Adapter PA-V18: Max. approx. 10.5 W (100 V AC) Max. approx. 10.6 W (240 V AC) DC: Max. approx. 9.5 W AC: Max. approx. 9.1 W Max. approx. 21.7 W* * When the heater unit (sold separately) is installed	PoE: Max. approx. 8.9 W
<b>Dimensions</b>	(φ x H) φ180 x 131 mm (φ7.09 x 5.16 in.) - Camera only (excluding Ceiling Plate)	
<b>Weight</b>	Approx. 1600 g (3.53 lb.)	Approx. 1570 g (3.47 lb.)
<b>Impact Resistance</b>	IK10 (20J)	
<b>Dust-resistant/Waterproof Specification</b>	IP66 rated NEMA Type 4X, IEC 60950-1/22	

## What's in the box?

- Setup CD-ROM
- Ceiling Plate
- Fixing Screw
- Safety Wire & Fixing Screw
- Wrench
- Template
- Power Interface Cable
- I/O Interface Cable
- Installation Guide
- Warranty Card
- Leaflet of Warranty Card
- Packaging

## Dimensions



## Compatible Accessories.



Keep every angle covered

# VB-M641VE & VB-M640VE

Fully outdoor-ready, with IK10 vandal resistance. These 1.3 MP dome cameras feature a Super-UD IR Corrected lens with an ultra wide 111.5° angle of view and high quality imaging day or night in extremely cold and hazardous areas.



Sales Start Date: August 2015

#### Product Details:

Product Name	Mercury Code	EAN Code
Network Camera VB-M641VE	0308C001AA	4549292032499
Network Camera VB-M640VE	0310C001AA	4549292032512

#### Optional Accessories:

Product Name	Mercury Code	EAN Code
Pendant Mounting Kit PC640-VB	0719C001AA	4549292043532
Heater Unit HU641-VB	0724C001AA	4549292043587
Sunshade Cover SC640-VB	0723C001AA	4549292043570
Conduit Adaptor CA640-VB	0713C001AA	4549292043471
Smoked Dome Unit DU640-S-VB	0722C001AA	4549292043563
AC Adapter PA-V18 (E)	8362B002AA	4960999986791
AC Adapter PA-V17 (GB)	2245B003AA	4960999480206

#### Measurement / Logistic Information:

Product Name	Mercury code	Pack type	Pack description	Quantity per pack	Length (mm)	Width (mm)	Height (mm)	Net Weight (kg)	Gross Weight (kg)
Network Camera VB-M641VE	0308C001AA	EA	Each	1	248	248	257	Approx. 1.600	Approx. 2.363
		CT	Carton	2	277	518	284	Approx. 3.2	Approx. 4.7
		EP	Euro Pallet	—	—	—	—	—	—
Network Camera VB-M640VE	0310C001AA	EA	Each	1	248	248	257	Approx. 1.570	Approx. 2.337
		CT	Carton	2	277	518	284	Approx. 3.2	Approx. 4.6
		EP	Euro Pallet	—	—	—	—	—	—