

VB-M620VE



Keep every angle covered

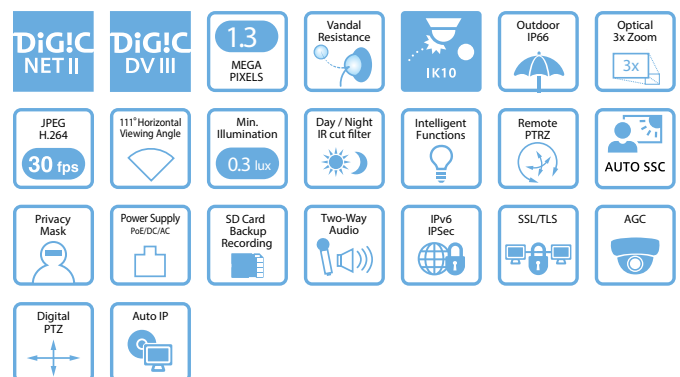
The VB-M620VE 1.3 MP fixed dome IP security camera with vandal-resistant and IP66 rated body is ideal for harsh outdoor conditions. Monitor and record activity day and night with an ultra-wide 111° field of view.



- 1.3 MP vandal-resistant, IP66 and IK10 compliant fixed dome IP security camera
- 3x optical zoom lens with ultra-wide 111° field of view
- True Day / Night and two-way audio
- Superior image quality using Canon DIGIC DV III processor
- Canon DIGIC NET II supports dual H.264 video streams (up to 30 fps)
- Remote Pan / Tilt / Rotate / Zoom (PTRZ) function reduces installation time
- Superior low-light performance: colour at 0.3 lux and mono at 0.015 lux
- Auto Smart Shade Control (Auto-SSC) improves foreground objects in bright backlit scenes
- Low operating temperature of down to -30°C (with optional heating unit)
- Intelligent Functions and ONVIF v2.4 (Profile S) compliant

Product Range

VB-H630VE Full HD vandal resistant dome camera, VB-H630D Full HD indoor fixed dome camera, **VB-M620VE 1.3MP vandal resistant dome camera**, VB-M620D 1.3MP indoor fixed dome camera, VB-S800D Full HD indoor fixed mini-dome camera, VB-S805D 1.3MP indoor fixed mini-dome camera



Technical Specifications

VB-M620VE

IMAGE SENSOR

Type	1/3 type CMOS (primary colour filter)
Number of Pixels	Approx. 1.3 million pixels
Scanning System	Progressive
OPTICS	
Zoom Magnification and Control	3x optical (4x digital zoom) zoom lens (electric drive)
Focal Length	2.8 (W) - 8.4 mm (T)
Horizontal Field of View	111° (W) - 36.5° (T)
Vertical Field of View	60.1° (W) - 20.5° (T)
Lens F-Number	F1.2 (W) - F2 (T)
Minimum Subject Illumination	Day Mode (colour): 0.3 lux (F1.2, shutter speed 1/30 sec., smart shade control off, 50IRE) 0.02 lux (F1.2, shutter speed 1/2 sec., smart shade control off, 50IRE) 0.008 lux (F1.2, shutter speed 1/2 sec., smart shade control on, 50IRE) Digital Night Mode (monochrome): 0.015 lux (F1.2, shutter speed 1/30 sec., smart shade control off, 50IRE) 0.001 lux (F1.2, shutter speed 1/2 sec., smart shade control off, 50IRE) 0.0005 lux (F1.2, shutter speed 1/2 sec., smart shade control on, 50IRE)
Focus Control	Auto / One-shot AF / Manual / Fixed at infinity
Focusing Region	Day Mode: 0.3 m - infinity Night Mode: 1.0 m - infinity
Shutter Speed	1, 1/2, 1/4, 1/8, 1/15, 1/30, 1/60, 1/100, 1/120, 1/250, 1/500, 1/1000, 1/2000, 1/4000, 1/8000, 1/16000 sec.
White Balance	Auto / Light Source (Daylight Fluorescent / White Fluorescent / Warm Fluorescent / Mercury Lamp / Sodium Lamp / Halogen Lamp) / Manual (One-shot WB / R Gain / B Gain)
Imaging Modes	Day Mode, Night Mode (Auto / Manual)
Metering Modes	Center-Weighted / Average / Spot
Exposure	Auto / Auto (Flickerless) / Auto (Shutter-priority AE) / Manual (Shutter Speed, Gain)
Exposure Compensation	9 levels
Shade Correction	Canon Smart Shade Control (SSC), Manual with 7 levels, Auto with 3 levels, Disable
AGC Limit	5 levels
SERVER UNIT	
Video Compression Method	H.264, JPEG
Video Output Size	JPEG, H.264: 1280 x 720, 640 x 360, 320 x 180 1280 x 960, 640 x 480, 320 x 240
Video Quality	JPEG, H.264: 5 levels of compression
Frame Rate	JPEG: 0.1 - 30 fps ^[1] H.264: 1 / 2 / 3 / 5 / 6 / 10 / 15 / 30 fps ^[1]
Multi-Streaming	When streaming H.264(1) (1280 x 720) and H.264(2) (1280 x 720) simultaneously: 15 fps When streaming H.264(1) (1280 x 960) and H.264(2) (1920 x 720) simultaneously: 15 fps
I-Frame Interval	0.5 / 1 / 1.5 / 2 / 3 / 4 / 5 sec.
Simultaneous Distribution	JPEG: Max. 30 Clients + 1 Admin Client H.264: Max. 10 Clients
Audio Communication	Sound Transfer Protocol by Canon
Audio Compression Method	G.711 μ-law (64 kbps)
Supported Protocols	IPv4: TCP/IP, UDP, HTTP, FTP, SNMP (MIB2), SMTP (Client), DHCP (Client), DNS (Client), ARP, ICMP, POP3, NTP, SMTP authentication, RTSP, WV-HTTP (Canon proprietary), ONVIF IPv6: TCP/IP, UDP, HTTP, FTP, SMTP (Client), DHCPv6 (Client), DNS (Client), ICMPv6, POP3, NTP, SMTP authentication, RTSP, WV-HTTP (Canon proprietary), ONVIF

AutoIP

Encrypted Communications
IEEE 802.1X
Privacy Mask

Camera Access Control

Camera Access Levels
Event Trigger Type

Event Notification

Custom Settings

EMBEDDED ANALYTICS

Video Content Analytics

Audio

CONNECTORS

Network Interface

Audio Input (Mic In / Line In)

Audio Output (Line Out)

External Device I/O Terminals

Memory Card

MECHANISMS

Pan Angle Range

Tilt Angle Range

Rotation Angle Range

Maximum Rotation Speed

Preset Positions

GENERAL

Dimensions (W x H)

Weight

Power Sources

Power Consumption

Operating Environment

Ingress Protection

Vandal Resistance

Available

SSL/TLS, IPsec (Auto Key Exchange / Manual)

EAP-MD5, EAP-TLS, EAP-TTLS, EAP-PEAP

Number of registration: Max. 8 places,

Number of mask colours: 1 (select from 9 colours)

User authority (user name and password), Host Access

Restrictions (IPv4, IPv6)

3 user levels: Administrator / Authorised User / Guest User

External Device Input, Timer, Intelligent Function (Video),

Intelligent Function (Volume)

HTTP/SMTP (e-mail)

Number of registers: 4

Items to Reg.: Exposure, Smart Shade Control, Focus, White

Balance, Image Quality Adjustment, Day / Night

Moving Object Detection, Abandoned Object Detection,
Removed Object Detection, Camera Tampering Detection and
Passing Detection (Max of 15 detections per camera)

Volume Detection

LAN x1 (RJ45, 100Base-TX (auto / full-duplex / half-duplex))

3.5 mm mono mini-jack

3.5 mm mono mini-jack

2 x Inputs / 2 x Outputs

SD Memory Card, SDHC Memory Card, SDXC Memory Card

Compatible.

350° (±175°)

150° (±75°)

350° (±175°)

Pan: 17.1°/sec., Tilt: 12.6°/sec., Rotation: 25.9°/sec

Max. 20 frame positions

180 mm x 147 mm

Approx. 1920 g

PoE: PoE power supply via LAN cable (IEEE802.3af compliant)

AC Adapter: PA-V17 or PA-V18 (100 - 240 V AC) (sold separately)

External power source: 24 V AC / 12 V DC

Heater Unit HU600-VB (sold separately): 24 V AC only

When using PoE: Max. approx. 8.4 W

When using AC Adapter PA-V17: Max. approx. 10.6 W (100 V AC)

Max. approx. 10.8 W (240 V AC)

When using AC Adapter PA-V18: Max. approx. 9.9 W (100 V AC)

Max. approx. 10.3 W (240 V AC)

When using DC: Max. approx. 9.0 W

When using AC: Max. approx. 8.1 W

Max. approx. 18.7 W^[2]

Temperature: -10°C to +50°C, Humidity: 5% - 85%

(without condensation)

Temperature: -30°C - +50°C (-22°F - +122°F), Humidity: 5% - 85%

(without condensation)^[3]

IP66

IK10

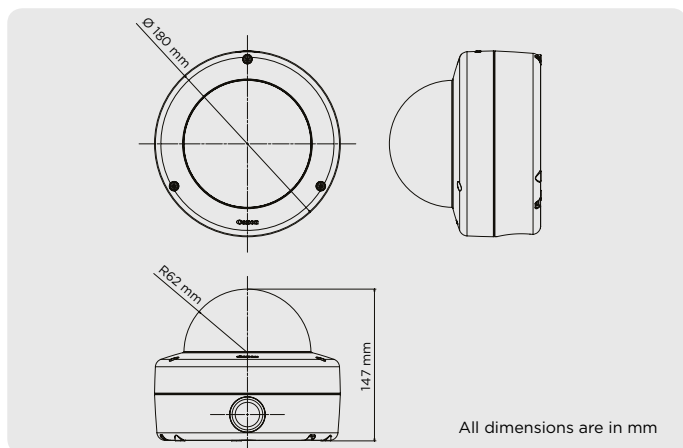
^[1] - Values represent streaming performance from the camera.

- The frame rate may be reduced due to Viewer PC's specs, the number of clients accessing at the same time, network loads, video quality setting, type or movement of the subject or other reasons.

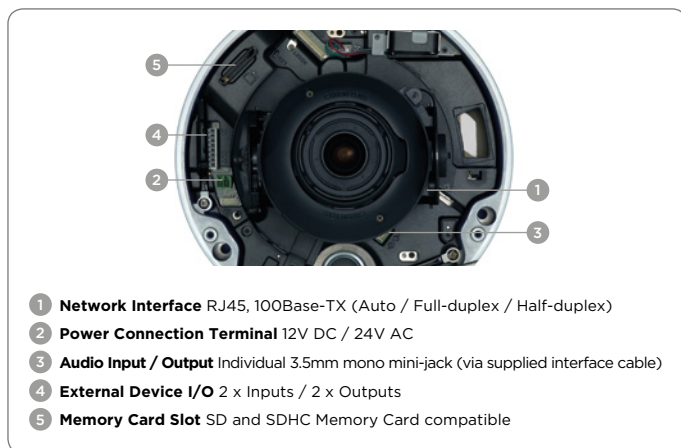
^[2] when separately sold Heater Unit HU600-VB installed

^[3] Equipped with separately sold Heater Unit HU600-VB

Dimensions



Connectivity



Canon Inc.
canon.com

Canon Europe
canon-europe.com

English edition
© Canon Europa N.V., 2014

