

VB-M42, VB-M42B



Keep every angle covered

The VB-M42 1.3 MP PTZ IP security camera combines a powerful 240x zoom, excellent low-light capability and fast auto-focus. Flexible installation options for indoor and outdoor use.



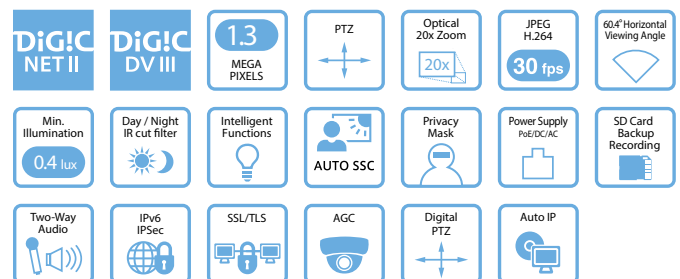
With DR41-C-VB Indoor Clear Dome Housing



- 1.3 MP PTZ IP security camera
- Powerful 20x optical zoom lens with 12x digital zoom and fast autofocus
- True Day / Night and two-way audio
- Superior image quality using Canon DIGIC DV III processor
- Canon DIGIC NET II supports dual H.264 video streams (up to 30 fps)
- Superior low-light performance: colour at 0.4 lux and mono at 0.02 lux
- Auto Smart Shade Control (Auto-SSC) improves foreground objects in bright backlit scenes
- Intelligent Functions and ONVIF v2.4 (Profile S) compliant
- Two colour options: Silver (VB-M42) and Black (VB-M42B)

Product Range

VB-H43 Full HD PTZ camera,
VB-M42 1.3MP PTZ camera,
VB-S30D Full HD ultra-compact PTZ camera,
VB-S31D Full HD ultra-compact PT camera



Technical Specifications

VB-M42, VB-M42B

IMAGE SENSOR

Type	1/3 type CMOS (primary colour filter)
Number of Pixels	Approx. 1.3 million pixels
Scanning System	Progressive

OPTICS

Zoom Magnification and Control	20x optical (12x digital zoom) zoom lens with auto focus
Focal Length	4.7 (W) - 94 mm (T)
Horizontal Field of View	60.4° (W) - 3.2° (T)
Vertical Field of View	35.1° (W) - 1.8° (T)
Lens F-Number	F1.6 (W) - F3.5 (T)

Minimum Subject Illumination	Day Mode (colour): 0.4 lux (F1.6, shutter speed 1/30 sec., smart shade control off, 50IRE) 0.03 lux (F1.6, shutter speed 1/2 sec., smart shade control off, 50IRE) 0.01 lux (F1.6, shutter speed 1/2 sec., smart shade control on, 50IRE) Digital Night Mode (monochrome): 0.02 lux (F1.6, shutter speed 1/30 sec., smart shade control off, 50IRE) 0.002 lux (F1.6, shutter speed 1/2 sec., smart shade control off, 50IRE) 0.001 lux (F1.6, shutter speed 1/2 sec., smart shade control on, 50IRE)
-------------------------------------	---

Focus Control	Auto / One-shot AF / Manual / Fixed at infinity
Focusing Region	Day Mode: 0.3 m - infinity (wide) / 1.0 m - infinity (telephoto) Night Mode: 1.0 m - infinity (wide) / 1.5 m - infinity (telephoto)
Shutter Speed	1, 1/2, 1/4, 1/8, 1/15, 1/30, 1/60, 1/100, 1/120, 1/250, 1/500, 1/1000, 1/2000, 1/4000, 1/8000, 1/16000 sec.
White Balance	Auto / Light Source (Daylight Fluorescent / White Fluorescent / Warm Fluorescent / Mercury Lamp / Sodium Lamp / Halogen Lamp) / Manual (One-shot WB / R Gain / B Gain)
Imaging Modes	Day Mode, Night Mode (Auto / Manual)
Metering Modes	Center-Weighted / Average / Spot
Exposure	Auto / Auto (Flickerless) / Auto (Shutter-priority AE) / Manual (Shutter Speed, Gain)

Exposure Compensation	9 levels
Shade Correction	Canon Smart Shade Control (SSC), Manual with 7 levels, Auto with 3 levels, Disable
AGC Limit	5 levels

SERVER UNIT

Video Compression Method	H.264, JPEG
Video Output Size	JPEG, H.264: 1280 x 720, 640 x 360, 320 x 180 1280 x 960, 640 x 480, 320 x 240
Video Quality	JPEG, H.264: 5 levels of compression
Frame Rate	JPEG: 0.1 - 30 fps ^[1] H.264: 1/2/3/5/6/10/15/30 fps ^[1]
Multi-Streaming	When streaming H.264(1) (1280 x 720) and H.264(2) (1280 x 720) simultaneously: 15 fps When streaming H.264(1) (1280 x 960) and H.264(2) (1920 x 720) simultaneously: 15 fps
I-Frame Interval	0.5 / 1 / 1.5 / 2 / 3 / 4 / 5 sec.
Simultaneous Distribution	JPEG: Max. 30 Clients + 1 Admin Client H.264: Max. 10 Clients
Audio Communication	Sound Transfer Protocol by Canon
Audio Compression Method	G.711 µ-law (64 kbps)

Supported Protocols

IPv4: TCP/IP, UDP, HTTP, FTP, SNMP (MIB2), SMTP (Client), DHCP (Client), DNS (Client), ARP, ICMP, POP3, NTP, SMTP authentication, RTSP, WV-HTTP (Canon proprietary), ONVIF
IPv6: TCP/IP, UDP, HTTP, FTP, SMTP (Client), DHCPv6 (Client), DNS (Client), ICMPv6, POP3, NTP, SMTP authentication, RTSP, WV-HTTP (Canon proprietary), ONVIF

AutoIP
Encrypted Communications
IEEE 802.1X
Privacy Mask

Available
SSL/TLS, IPsec (Auto Key Exchange / Manual)
EAP-MD5, EAP-TLS, EAP-TTLS, EAP-PEAP
Number of registration: Max. 8 places,
Number of mask colours: 1 (select from 9 colours)

View Restriction
Camera Access Control

Available
User authority (user name and password), Host Access Restrictions (IPv4, IPv6)

Camera Access Levels
Event Trigger Type

3 user levels: Administrator / Authorised User / Guest User
External Device Input, Timer, Intelligent Function (Video), Intelligent Function (Volume)

Event Notification
Custom Settings

HTTP/SMTP (e-mail)
Number of registers: 4
Items to Reg.: Pan / Tilt / Zoom, Exposure, Smart Shade Control, Focus, White Balance, Image Quality Adjustment, Day / Night

EMBEDDED ANALYTICS

Video Content Analytics

Moving Object Detection, Abandoned Object Detection, Removed Object Detection, Camera Tampering Detection and Passing Detection (Max of 15 detections per camera)

Audio

Volume Detection

CONNECTORS

Network Interface
Audio Input (Mic In / Line In)
Audio Output (Line Out)
External Device I/O Terminals
Memory Card

LAN x1 (RJ45, 100Base-TX (auto / full-duplex / half-duplex))
3.5 mm mono mini-jack
3.5 mm mono mini-jack
2 x Inputs / 2 x Outputs
SD Memory Card, SDHC Memory Card, SDXC Memory Card Compatible.

MECHANISMS

Pan Angle Range
Tilt Angle Range
Maximum Rotation Speed
Preset Positions

340° (±170°)
100° (Ceiling-mounted position: -90° to +10°)
Pan: Max. 150°/sec., Tilt: Max. 150°/sec.
Max. 20 frame positions

GENERAL

Dimensions (W x H)
Weight
Power Sources

132 mm x 155 mm
Approx. 1140 g
PoE: PoE power supply via LAN cable (IEEE802.3af compliant)
AC Adapter: PA-V17 or PA-V18 (100 - 240 V AC) (sold separately)
External power source: 24 V AC / 12 V DC

Power Consumption

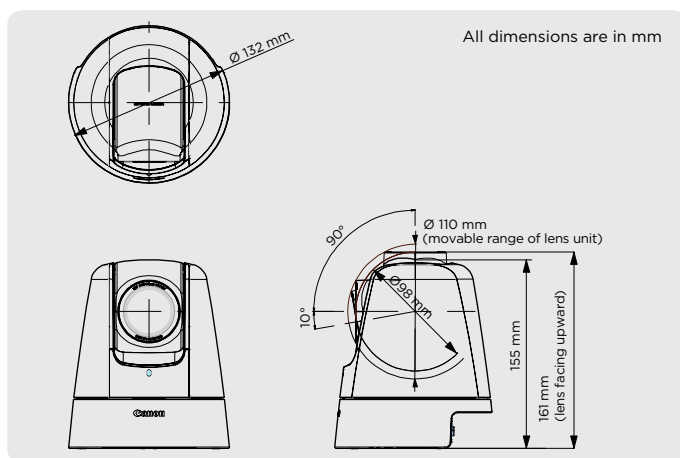
When using PoE: Max. approx. 9.2 W
When using AC Adapter PA-V17: Max. approx. 10.7 W (100 V AC)
Max. approx. 10.0 W (240 V AC)
When using AC Adapter PA-V18: Max. approx. 9.9 W (100 V AC)
Max. approx. 9.4 W (240 V AC)
When using DC: Max. approx. 8.6 W
When using AC: Max. approx. 8.8 W

Operating Environment

Temperature: -10°C to +50°C, Humidity: 5% - 85% (without condensation)

^[1] - Values represent streaming performance from the camera.
- The frame rate may be reduced due to Viewer PC's specs, the number of clients accessing at the same time, network loads, video quality setting, type or movement of the subject or other reasons.

Dimensions



Connectivity

