

VB-H730F



Keep every angle covered

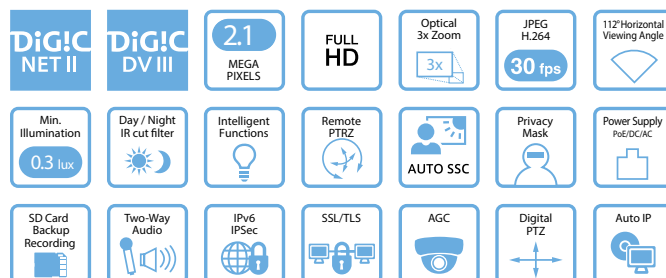
The VB-H730F Full HD fixed box camera delivers an ultra-wide 112° field of view and superior low-light performance. Flexible installation options for indoor and outdoor use.



- Full HD fixed box IP security camera
- 3x optical zoom lens with ultra-wide 112° field of view
- Superior image quality using Canon DIGIC DV III processor
- Canon DIGIC NET II supports multiple motion JPEG and dual H.264 video streams
- Excellent low-light performance: colour at 0.3 lux and mono at 0.015 lux
- Auto Smart Shade Control (Auto-SSC) improves foreground objects in bright backlit scenes
- True Day / Night and two-way audio
- Intelligent Functions and ONVIF v2.4 (Profile S) compliant

Product Range:

VB-H730F Full HD Fixed Box camera,
VB-M720F 1.3MP Fixed Box camera,
VB-S900F Full HD Mini Fixed Box camera,
VB-S905F 1.3MP Mini Fixed Box camera



Technical Specifications

VB-H730F

IMAGE SENSOR

Type 1/3 type CMOS (primary colour filter)
Number of Pixels Approx. 2.1 million pixels
Scanning System Progressive

OPTICS

Zoom Magnification and Control 3x optical (4x digital zoom) zoom lens (electric drive)
Focal Length 2.8 (W) – 8.4 mm (T)
Horizontal Field of View 112.6° (W) – 36.7° (T)
Vertical Field of View 60.8° (W) – 20.6° (T)
Lens F-Number F1.2 (W) – F2 (T)
Minimum Subject Illumination
 Day Mode (colour):
 0.3 lux (F1.2, shutter speed 1/30 sec., smart shade control off, 50IRE)
 0.02 lux (F1.2, shutter speed 1/2 sec., smart shade control off, 50IRE)
 0.008 lux (F1.2, shutter speed 1/2 sec., smart shade control on, 50IRE)
 Digital Night Mode (monochrome):
 0.015 lux (F1.2, shutter speed 1/30 sec., smart shade control off, 50IRE)
 0.001 lux (F1.2, shutter speed 1/2 sec., smart shade control off, 50IRE)
 0.0005 lux (F1.2, shutter speed 1/2 sec., smart shade control on, 50IRE)

Focus Control Auto / One-shot AF / Manual / Fixed at infinity
Focusing Region Day Mode: 0.3 m – infinity
 Night Mode: 1.0 m – infinity
Shutter Speed 1, 1/2, 1/4, 1/8, 1/15, 1/30, 1/60, 1/100, 1/120, 1/250, 1/500, 1/1000, 1/2000, 1/4000, 1/8000, 1/16000 sec.
White Balance Auto / Light Source (Daylight Fluorescent / White Fluorescent / Warm Fluorescent / Mercury Lamp / Sodium Lamp / Halogen Lamp) / Manual (One-shot WB / R Gain / B Gain)
Imaging Modes Day Mode, Night Mode (Auto / Manual)
Metering Modes Center-Weighted / Average / Spot
Exposure Auto / Auto (Flickerless) / Auto (Shutter-priority AE) / Manual (Shutter Speed, Gain)
Exposure Compensation 9 levels
Shade Correction Canon Smart Shade Control (SSC), Manual with 7 levels, Auto with 3 levels, Disable
AGC Limit 5 levels

SERVER UNIT

Video Compression Method H.264, JPEG
Video Output Size JPEG, H.264: 1920 x 1080, 960 x 540, 480 x 270
 1280 x 720, 640 x 360, 320 x 180
 1280 x 960, 640 x 480, 320 x 240
Video Quality JPEG, H.264: 5 levels of compression
Frame Rate JPEG: 0.1 – 30 fps⁽¹⁾
 H.264: 1/2 / 3 / 5 / 6 / 10 / 15 / 30 fps⁽¹⁾
Multi-Streaming When streaming H.264(1) (1920 x 1080) and H.264(2) (all sizes) simultaneously: 15 fps
 When streaming H.264(1) (all sizes) and H.264(2) (1920 x 1080) simultaneously: 15 fps
I-Frame Interval 0.5 / 1 / 1.5 / 2 / 3 / 4 / 5 sec.
Simultaneous Distribution JPEG: Max. 30 Clients + 1 Admin Client
 H.264: Max. 10 Clients
Audio Communication Sound Transfer Protocol by Canon
Audio Compression Method G.711 μ-law (64 kbps)

Supported Protocols

IPv4: TCP/IP, UDP, HTTP, FTP, SNMP (MIB2), SMTP (Client), DHCP (Client), DNS (Client), ARP, ICMP, POP3, NTP, SMTP authentication, RTSP, WV-HTTP (Canon proprietary), ONVIF
 IPv6: TCP/IP, UDP, HTTP, FTP, SMTP (Client), DHCPv6 (Client), DNS (Client), ICMPv6, POP3, NTP, SMTP authentication, RTSP, WV-HTTP (Canon proprietary), ONVIF

AutoIP

Encrypted Communications IEEE 802.1X
Privacy Mask

Camera Access Control

Camera Access Levels
Event Trigger Type
Event Notification
Custom Settings

Available
 SSL/TLS, IPsec (Auto Key Exchange / Manual)
 EAP-MD5, EAP-TLS, EAP-TTLS, EAP-PEAP
 Number of registration: Max. 8 places,
 Number of mask colours: 1 (select from 9 colours)
 User authority (user name and password), Host Access Restrictions (IPv4, IPv6)
 3 user levels: Administrator / Authorised User / Guest User
 External Device Input, Timer, Intelligent Function (Video), Intelligent Function (Volume)
 HTTP/SMTP (e-mail)
 Number of registers: 4
 Items to Reg.: Exposure, Smart Shade Control, Focus, White Balance, Image Quality Adjustment, Day / Night

EMBEDDED ANALYTICS

Video Content Analytics

Audio

CONNECTORS

Network Interface
Audio Input (Mic In / Line In)
Audio Output (Line Out)
External Device I/O
Terminals
Memory Card

Moving Object Detection, Abandoned Object Detection, Removed Object Detection, Camera Tampering Detection and Passing Detection (Max of 15 detections per camera)
 Volume Detection

LAN x 1 (RJ45, 100Base-TX (auto / full-duplex / half-duplex))
 3.5 mm mono mini-jack
 3.5 mm mono mini-jack
 2 x Inputs / 2 x Outputs
 SD Memory Card, SDHC Memory Card, SDXC Memory Card Compatible.

MECHANISMS

Preset Positions

GENERAL

Dimensions (W x H x D)

Weight

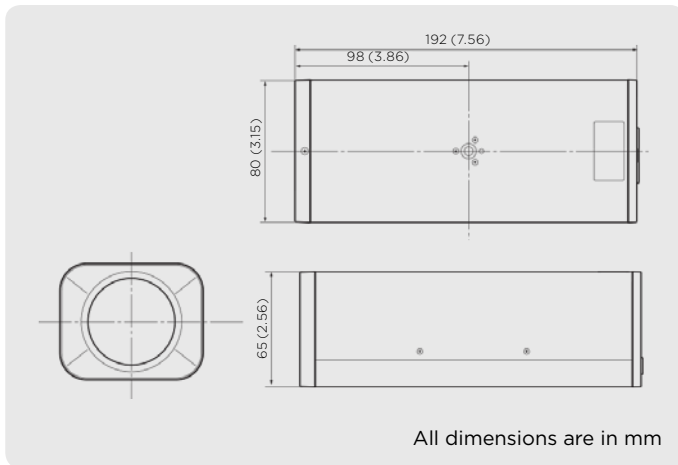
Power Sources

Power Consumption

Max. 20 frame positions
 80 mm x 65 mm x 192 mm
 Approx. 670 g
 PoE: PoE power supply via LAN cable (IEEE802.3af compliant)
 AC Adapter: PA-V17 or PA-V18 (100 – 240 V AC) (sold separately)
 External power source: 24 V AC / 12 V DC
 When using PoE: Max. approx. 6.9 W
 When using AC Adapter PA-V17: Max. approx. 8.5 W (100 V AC)
 Max. approx. 8.7 W (240 V AC)
 When using AC Adapter PA-V18: Max. approx. 7.5 W (100 V AC)
 Max. approx. 7.8 W (240 V AC)
 When using DC: Max. approx. 7.0 W
 When using AC: Max. approx. 6.5 W
 Temperature: -10°C to +50°C, Humidity: 5% – 85% (without condensation)

⁽¹⁾ – Values represent streaming performance from the camera.
 – The frame rate may be reduced due to Viewer PC's specs, the number of clients accessing at the same time, network loads, video quality setting, type or movement of the subject or other reasons.

Dimensions



Connectivity



- 1 Network Interface RJ45, 100Base-TX (Auto / Full-duplex / Half-duplex)
- 2 Power Connection Terminal 12V DC / 24V AC
- 3 Audio Input 3.5mm mono mini-jack
- 4 Audio Output 3.5mm mono mini-jack
- 5 External Device I/O 2 x Inputs / 2 x Outputs
- 6 Memory Card Slot SD, SDHC and SDXC Memory Card compatible